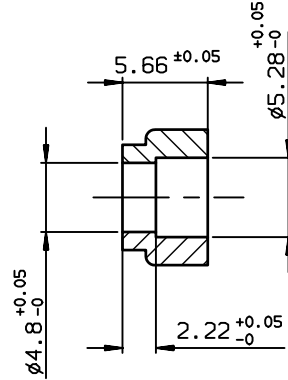
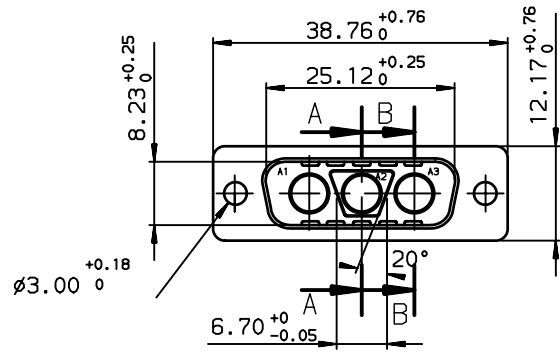
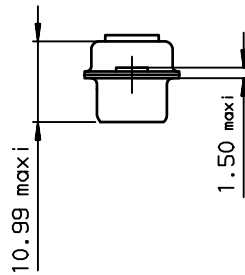
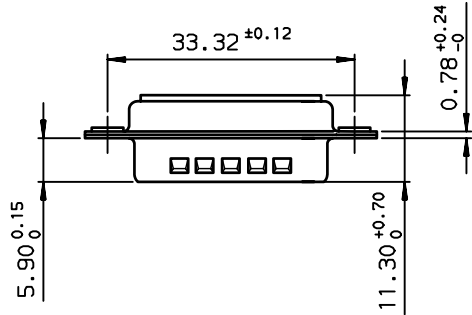
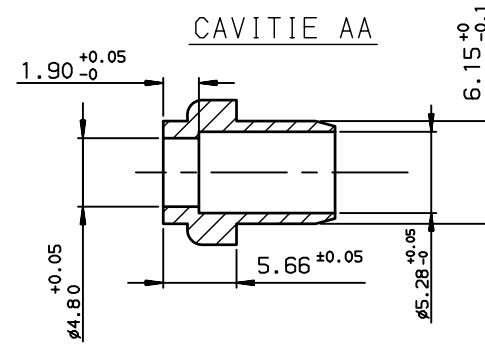


CAVITIE BB



CAVITIE AA

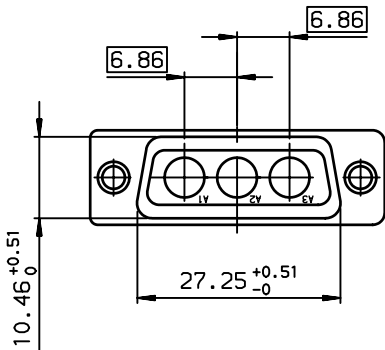


TIN LEAD PART NUMBER

DA3V3PA00
PART NUMBER

LEAD FREE PART NUMBER

DA3V3PA00LF
PART NUMBER



GENERAL CHARACTERISTICS AND ROHS INFORMATIONS:
SEE DRAWING C01-8639-0003

European Views

www.fciconnect.com		surface ISO 1302 ✓	tolerance std ISO 406 ISO 1101	projection 	mm
TOLERANCES UNLESS OTHERWISE SPECIFIED					
Dr	JARRY	1994/06/15	ANGULAR	0.X ±0.1	size A3
Eng	PESSON	1994/06/15	LINEAR	0.XX ±0.1	Scale 1.5
Chr	LEGARE	1994/06/15	0.XX' ±2'	0.XXX ±0.1	ECN LS07-0077
Appr	LEGARE	1994/06/15	Product family	D-SUB	Spec ref -
PIN CONNECTORS SUB D 3V3 FOR POWERS CONTACTS .				dwg no C01-8639-0427	Rev. J
catalog no				CUSTOMER	sheet 1 of 1

rev	ecn no	dr	date
F	-	BAR	2003/10/15
G	LS05-003	MPE	2005/03/28
H	LS06-0095	LGO	2006/07/19
J	LS07-0077	MPE	2006/03/14
-	-	-	-
-	-	-	-

Copyright FCI.